

000170. Waterscape Card

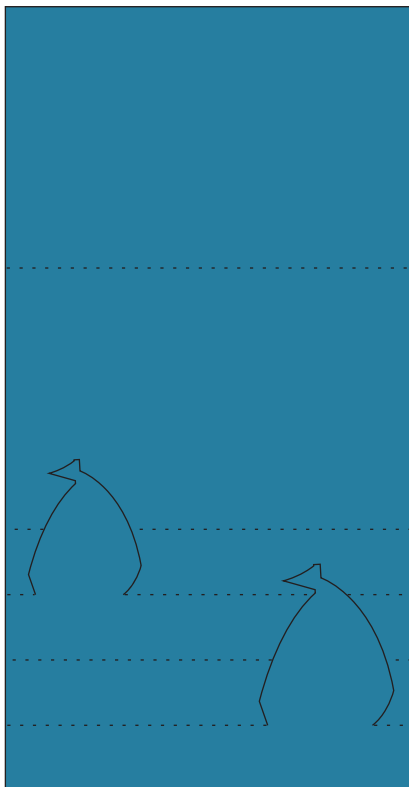


Material

- Paper/Cardstock – 6 kinds
- Vellum paper – 1 kind
- Ink pad (white)
- Sponge brush
- Glue or double-sided tape

(1) Cut out parts A and B. Cut B-12 from vellum paper.

A



B-1

VACATION

B-2



B-3



B-4



B-5



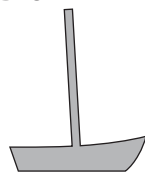
B-6



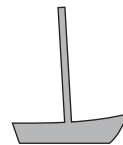
B-7



B-8



B-9



B-10



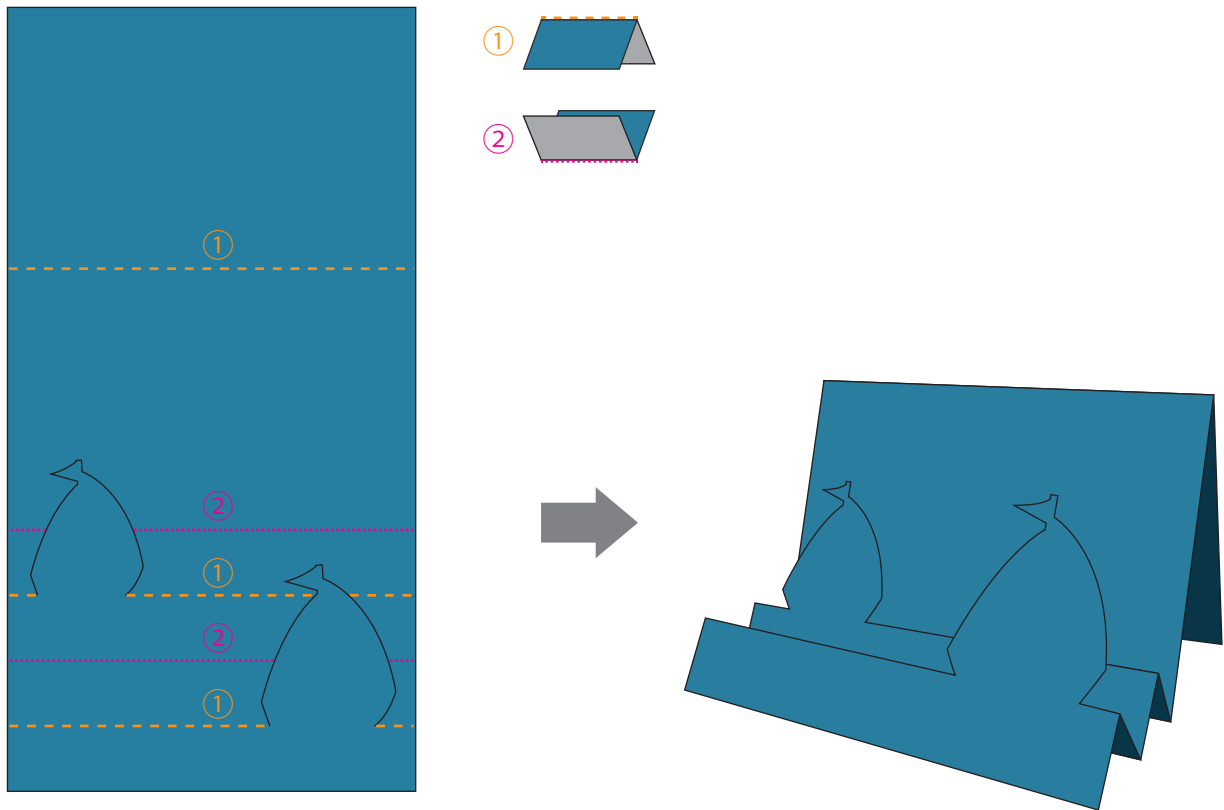
B-11



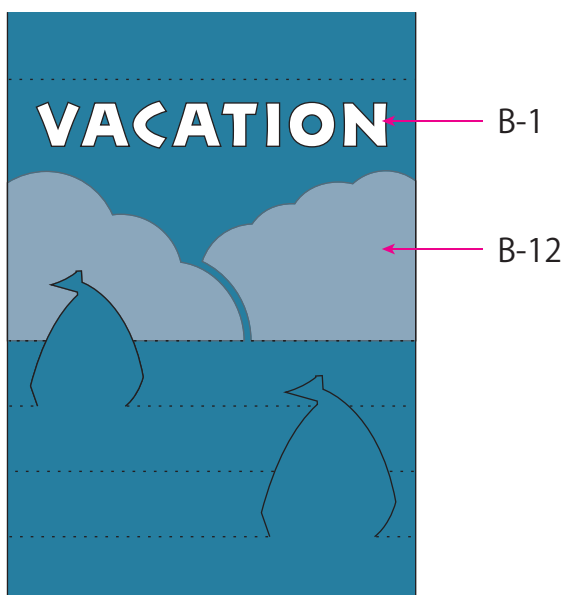
B-12



(2) Fold A along the dotted lines as shown below.



(3) Glue on B-1 and B-12 as shown below.



(4) Glue on B-2 through B-9 in the order shown below.

① B-8 + B-9



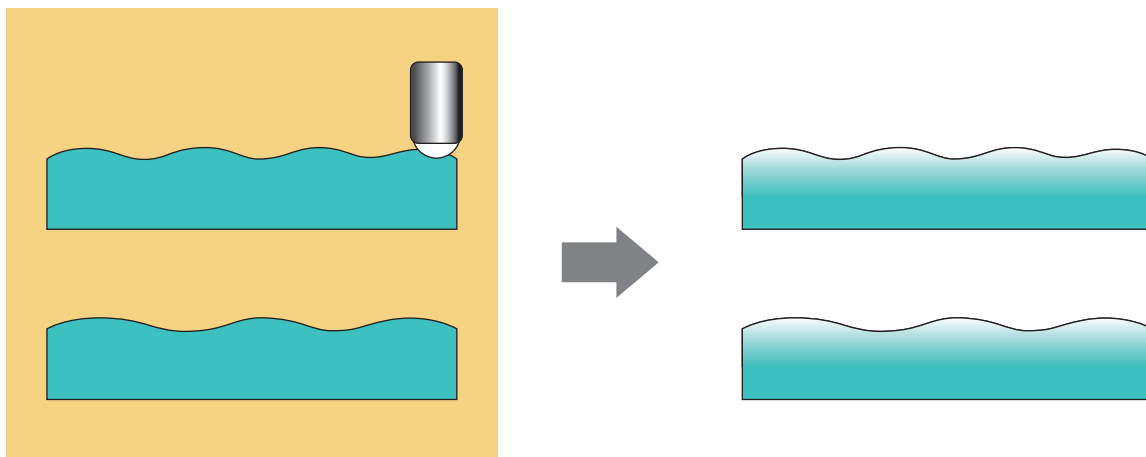
② B-2 + B-3



③ B-4 + B-5 + B-6 + B-7



(5) Using a sponge brush, lightly apply ink to the edges of B-10 and B-11.



(6) Glue on B-10 and B-11 as shown below.

