

000197. Pineapple Gift Box



Material

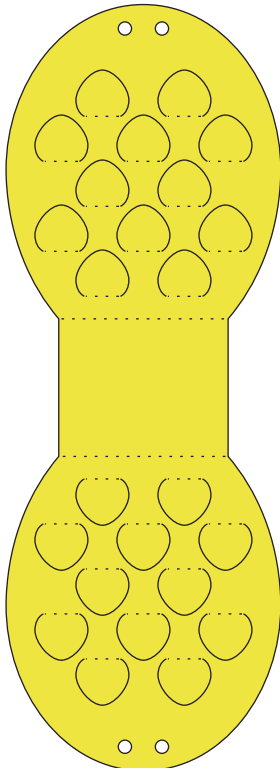
Paper/Cardstock - 3 kinds

Paper raffia or ribbon – Approx. 30 cm long

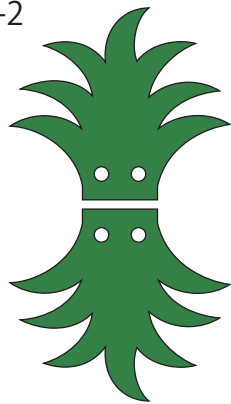
Glue or double-sided tape

(1) Cut out parts A and B.

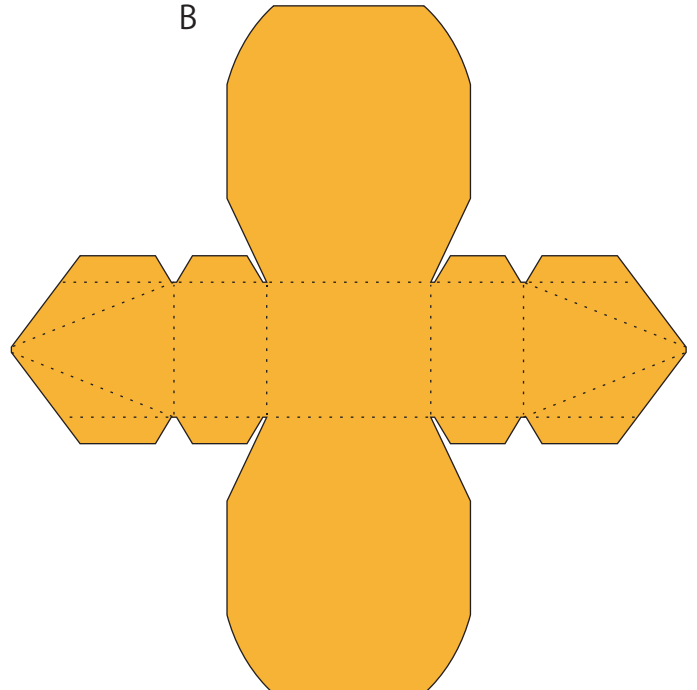
A-1



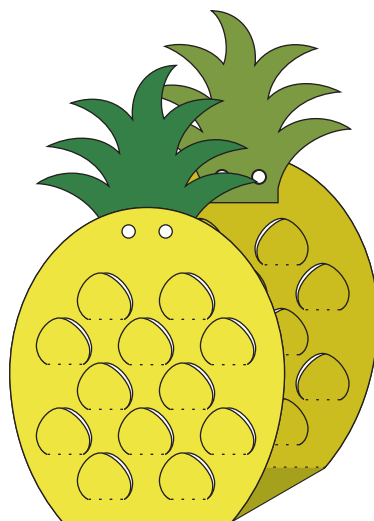
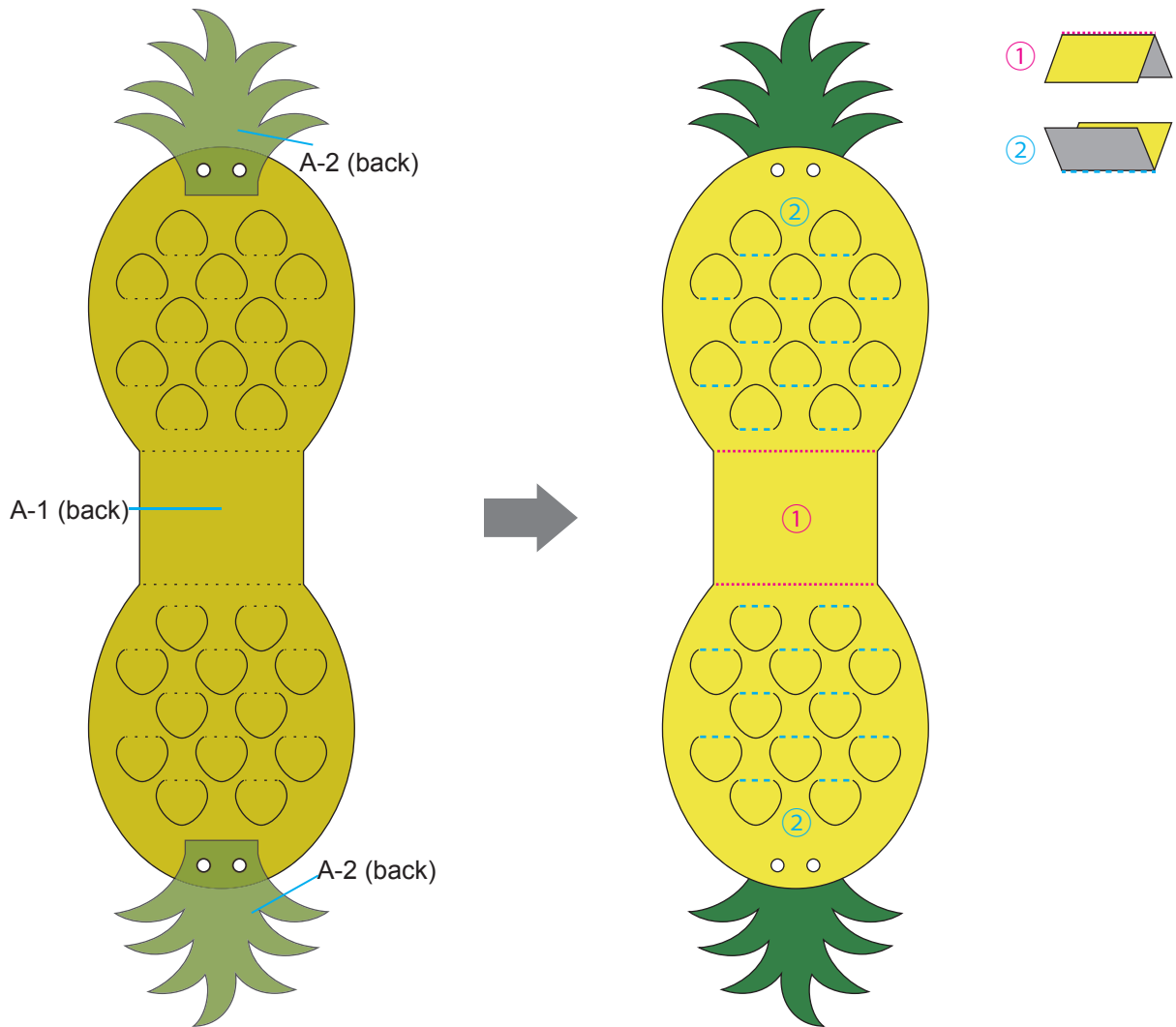
A-2



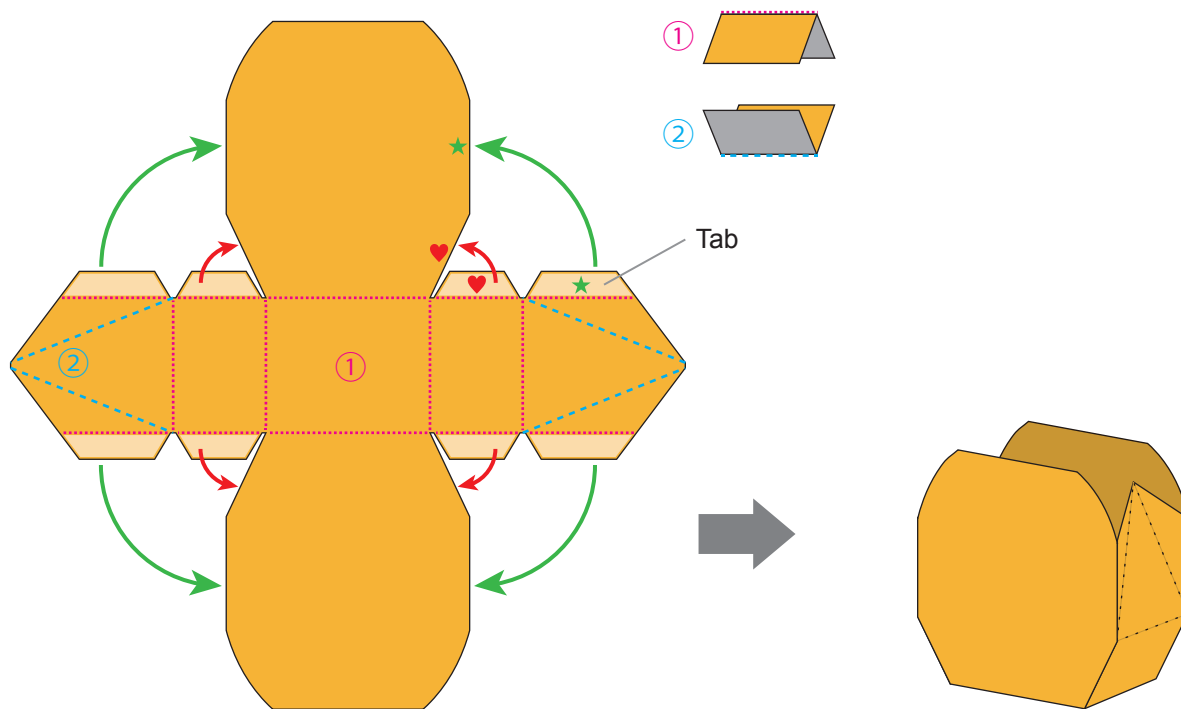
B



(2) Glue together A-1 and A-2, and then fold along the dotted lines, as shown below.



(3) Fold B along the dotted lines, and then glue the tabs to make a box, as shown below.



(4) Glue together the bottoms of the pieces assembled in steps (2) and (3), and then pass the ribbon through the holes and tie it to close the box, as shown below.

