

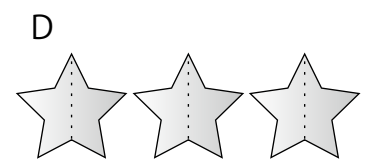
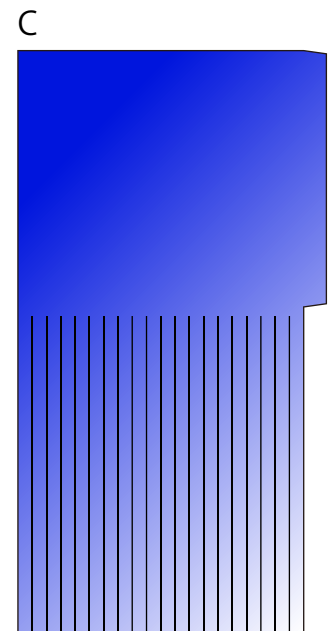
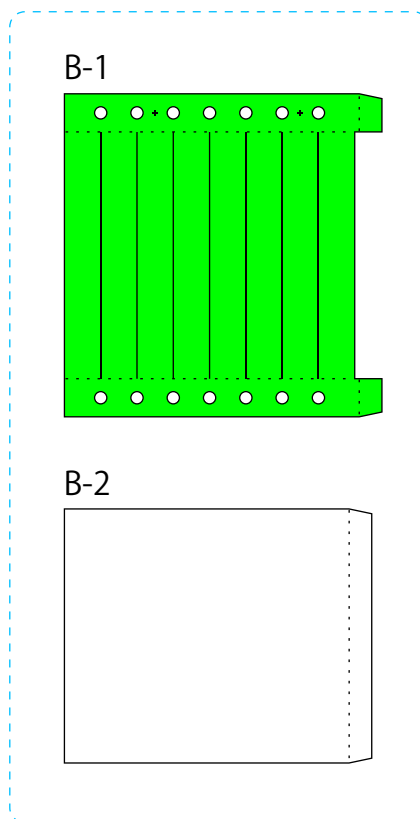
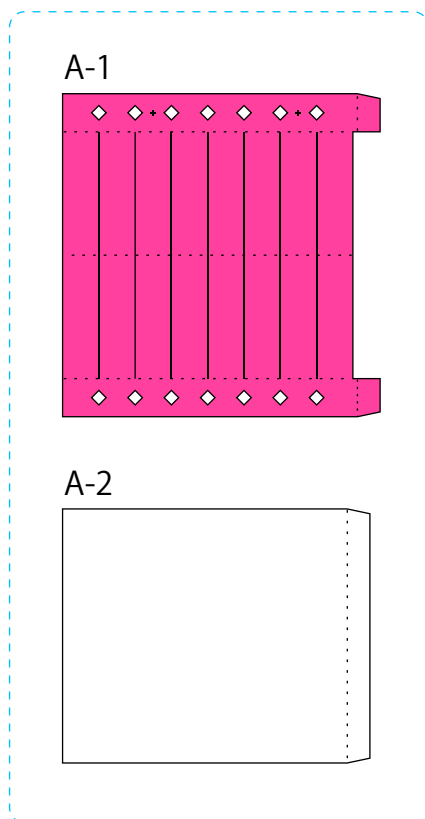
000241. Star Festival Ornament



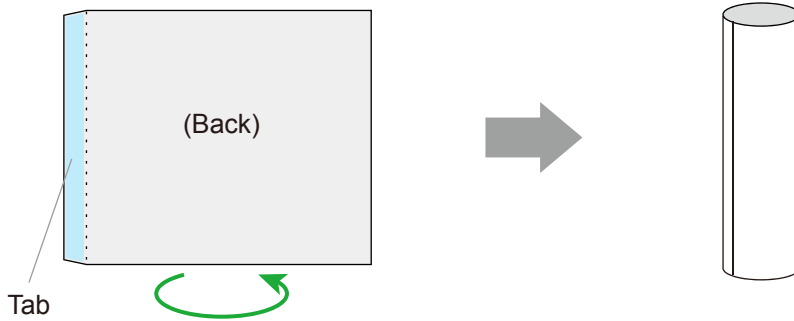
Material (per item)

- Paper/Cardstock – 2 kinds
- Holographic or metallic paper – 1 kind
- Holographic film – 1 kind
- Glue or double-sided tape
- Thread or nylon thread
- Awl (or pin)

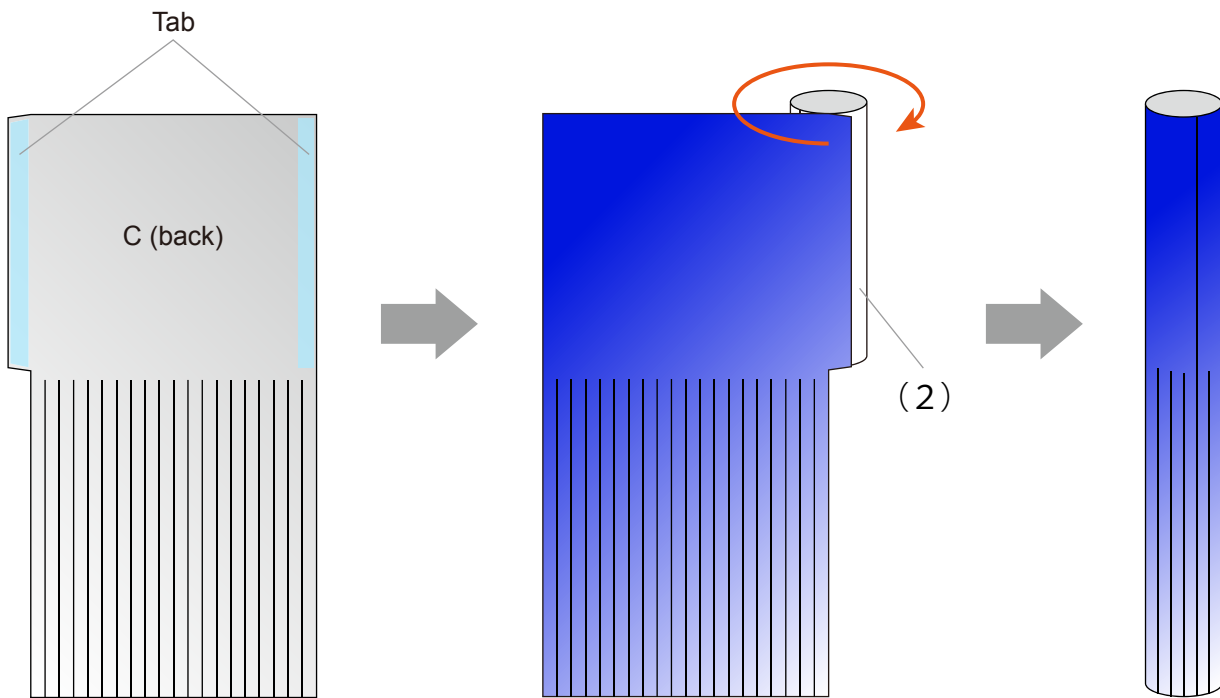
(1) Cut out parts A or B and parts C and D. Cut C from the holographic film, and cut D from the holographic or metallic paper.



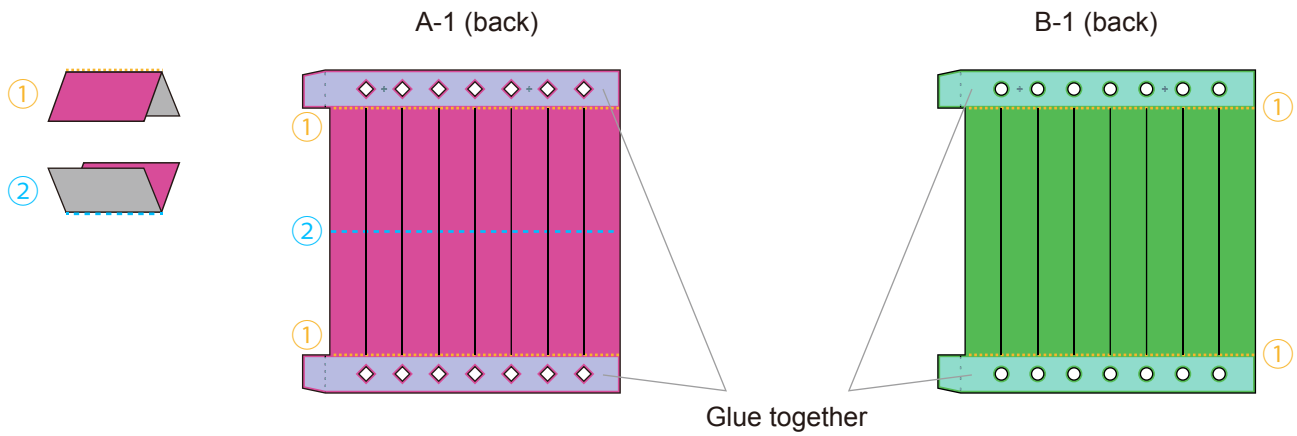
(2) Roll A-2 (or B-2), and then glue the tab to form a cylinder.



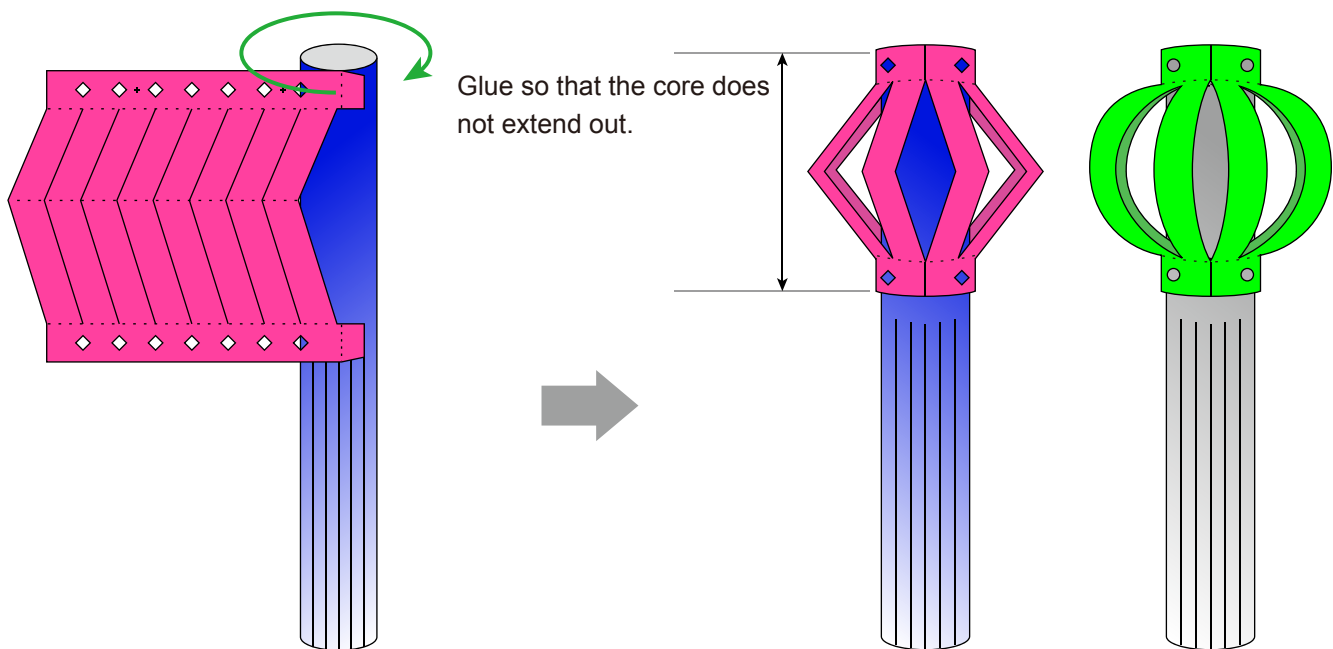
(3) Wrap C around the piece assembled in step (2), as shown below.



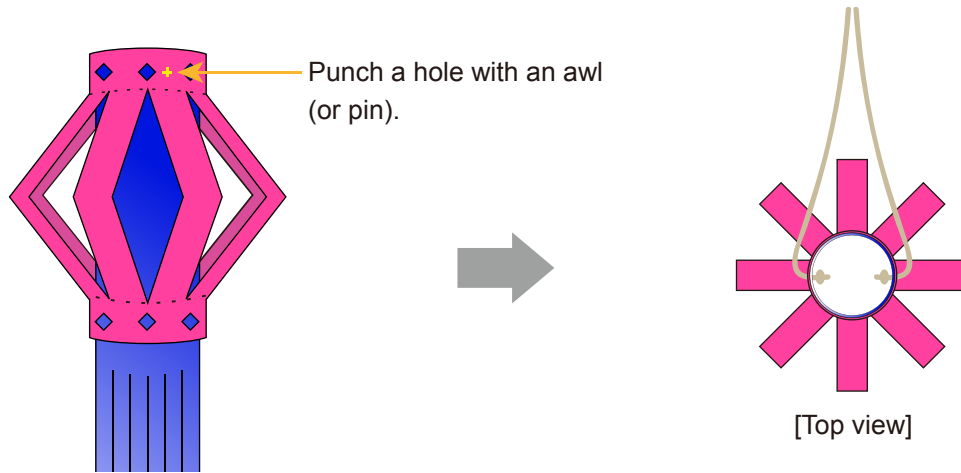
(4) Make folds along the dotted lines of A-1 (or B-1), and then apply glue to the back, as shown below.



(5) Wrap A-1 (or B-1) around the piece assembled in step (3), as shown below.



(6) With an awl (or pin), punch holes in the cross-shaped cutouts in A-1 (or B-1). Pass thread through the holes, and then tie a knot in each end, as shown below.



(7) Fold D along the dotted lines, and then glue them together with the thread in between.

